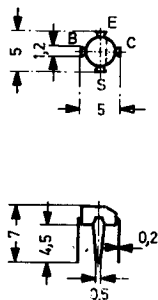


NPN Silicon High Frequency Transistors

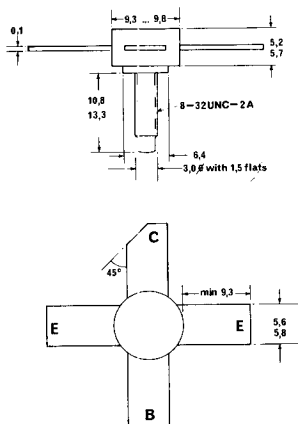
NPN Silicon High Frequency Transistors Epoxy package—see below. For h.f. amplifiers and oscillators

Type	Maximum ratings						Characteristics @ $T_{amb} = 25^\circ\text{C}$				
	V_{CB0} V	V_{CE0} V	V_{EB0} V	I_C mA	P_{Tot} mW	T_i $^\circ\text{C}$	at $T_{amb} = 25^\circ\text{C}$		at $V_{CE} = 10\text{ V}$ $I_C = 1\text{ mA}$ $f = 10,7\text{ MHz}$		
							$-C_{12e}$ pF	f_T MHz	V/I_C V/mA	G_{pe} dB	ΔG_{pe} dB
BF 121	40	30	4	25	330	125	0,14	350	10/4	—	—
BF 123	40	25	4	25	330	125	0,23	550	10/5	26	—
BF 125	40	25	4	25	330	125	0,23	450	10/7	—	—
BF 127	40	30	4	25	330	125	0,14	350	10/4	26	60

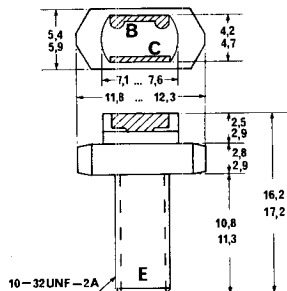
Epoxy Package
Weight 0,1 p



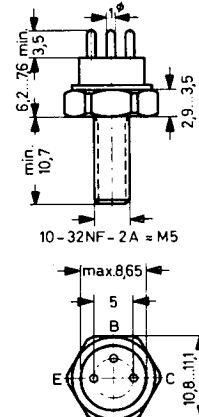
SOE. A Package
Weight 2,2 p



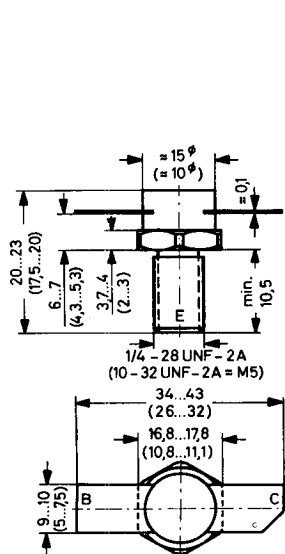
LIS. Package
Weight 3,3 p



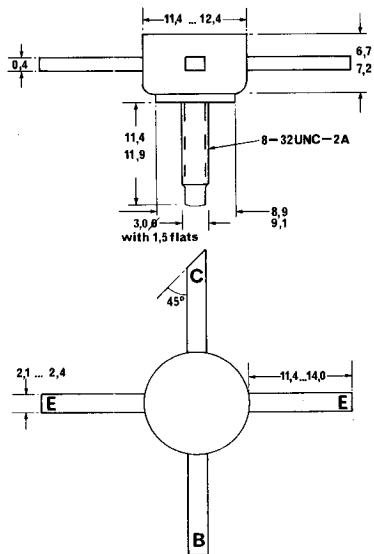
TO-60 Outline
Weight 5 p



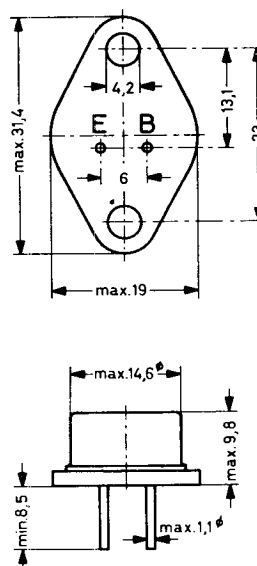
Strip Line Package
Dimensions without brackets: version A
Dimensions in brackets: version B
Weight version A: 1,5 p
Weight version B: 5 p
Emitter connected to stud



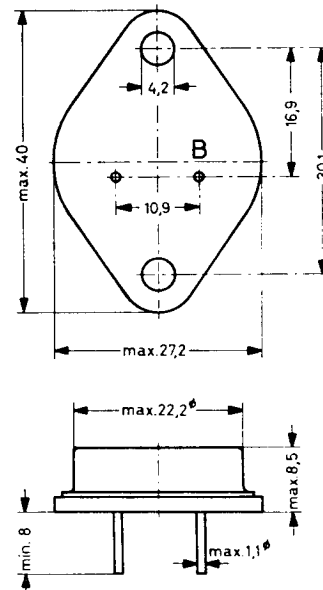
SOE. B Package
Weight 2,5 p



SO-55 (SOT-9) Outline
Weight 8 p
Collector connected to case



TO-3 Outline
Weight 23 p



Dimensions in mm