



MOTOROLA SEMICONDUCTOR

3501 Ed Bluestein Blvd Austin TX 78721

BIT RATE GENERATOR

The MC14411 bit rate generator is constructed with complementary MOS enhancement mode devices. It utilizes a frequency divider network to provide a wide range of output frequencies.

A crystal controlled oscillator is the clock source for the network. A two-bit address is provided to select one of four multiple output clock rates.

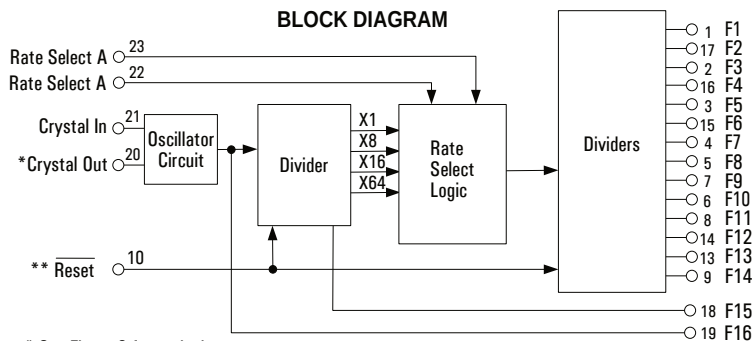
Applications include a selectable frequency source for the equipment in the data communications market, such as teleprinters, printers, CRT terminals and microprocessor systems.

- Single 5.0Vdc (± 5%) Power Supply
- Internal Oscillator Crystal Controlled for Stability (1.8432 Mhz)
- Sixteen Different Output Clock Rates
- 50% Duty Cycle
- Programmable Time Bases for One of Four Multiple Output Rates
- Buffered Outputs Compatible with Low Power TTL
- Noise Immunity = 45% of Vdd Typical
- Diode Protection on All Inputs
- External Clock may be applied to Pin 21
- Internal Pull-up Resistor on Reset Input

MAXIMUM RATINGS (Voltages referenced to Vss, Pin 12.)

Rating	Symbol	Value	Unit
DC Supply Voltage Range	Vdd	5.25 to -0.5	V
Input Voltage, All Inputs	Vin	Vdd + 0.5 to Vss - 0.5	V
DC Current Drain Per Pin	I	10	mA
Operating Temperature Range	Ta	-40 to +85	°C
Storage Temperature Range	Tstg	-65 to +150	°C

BLOCK DIAGRAM



* See Figure 2 for typical crystal oscillator circuits.

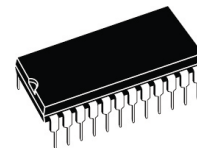
** When Reset = 0, outputs F1 through F14 = 0, Outputs F15 and F16 = 1.

MC14411

CMOS LSI

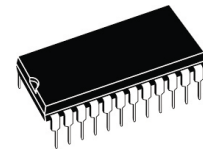
(LOW-POWER COMPLEMENTARY MOS)

BIT RATE GENERATOR



L SUFFIX
CERAMIC PACKAGE
CASE 623

P SUFFIX
PLASTIC PACKAGE
CASE 709



PIN ASSIGNMENT

F1	1	24	Vdd
F3	2	23	RSa
F5	3	22	RSb
F7	4	21	XTALin
F8	5	20	XTALout
F10	6	19	F16
F9	7	18	F15
F11	8	17	F2
F14	9	16	F4
RST	10	15	F6
N/A	11	14	F12
Vss	12	13	F13

This device contains circuitry to protect the inputs against damage due to high static voltages or electric fields; however, it is advised that normal precautions be taken to avoid application of any voltage higher than maximum rated voltages to this high impedance circuit. For proper operation it is recommended that Vin and Vout be constrained to the range $V_{ss} \leq (V_{in} \text{ or } V_{out}) \leq V_{dd}$.

Tie unused inputs to appropriate logic levels

ELECTRICAL CHARACTERISTICS

MC14411

Characteristics	Symbol	V _{DD} V _{DC}	-40 °C		25 °C			85 °C		Unit
			Min	Max	Min	Typ	Max	Min	Max	
Supply Voltage	V _{DD}	--	4.75	5.25	4.75	5.0	5.25	4.75	5.25	V
Output Voltage "0" Level	V _{out}	5.0	--	0.05	--	0	0.05	--	0.05	V
Output Voltage "1" Level		5.0	4.95	--	4.95	5.0	--	4.95	--	V
Input Voltage (V _O = 4.5V or 5.0V) (V _O = 0.5V or 4.5V)	V _{IL}	5.0	--	1.5	--	2.25	1.5	--	1.5	V
	V _{IH}	5.0	3.5	--	3.5	2.75	--	3.5	--	V
Output Drive Current (V _{OH} = 2.5V) Source (V _{OL} = 0.4V) Sink	I _{OH}	5.0	-0.23	--	-0.20	-1.7	--	-0.16	--	mA
	I _{OL}	5.0	0.23	--	0.20	0.78	--	0.16	--	mA
Input Current Pins 21,22,23 Pin 10	I _{in}	--	--	±0.1	--	±0.00001	±0.1	--	±0.1	μA
		5.0	--	--	-1.5	--	-7.5	--	--	μA
Input Capacitance	C _{in}	--	--	--	5.0	--	--	--	--	pF
Quiescent Dissipation	P _Q	5.0	--	2.5	--	0.015	2.5	--	15	mW
Power Dissipation **† (Dynamic plus Quiescent) (C _L = 15pF)	P _D	5.0	P _D = (7.5mW/MHz) f + P _Q							mW
Output Rise Time ** T _f = (3.0 ns/pF) C _L + 25ns	t _{TLH}	5.0	--	--	--	70	200	--	--	ns
Output Fall Time ** T _f = (1.5 ns/pF) C _L + 47ns	t _{THL}	5.0	--	--	--	70	200	--	--	ns
Input Clock Frequency	f _{CL}	5.0	--	1.85	--	--	1.85	--	1.85	MHz
Clock Pulse Width	t _{W(C)}	--	200	--	200	--	--	200	--	ns
Reset Pulse Width	t _{W(r)}	--	500	--	500	--	--	500	--	ns

† For dissipation at different external capacitance (C_L) refer to the corresponding formula:
 $P_T = (C_L - P_D + 2.6 \times 10^{-3} (C_L - 15pF) V_{DD}^2) f$

Where: P_T, P_D in mW, C_L in pF, V_{DD} in V_{DC} and f in MHz

** The formula given is for typical characteristics only.

Table 1 - Output Clock Rates

Rate Select		Rate
B	A	
0	0	X1
0	1	X8
1	0	X16
1	1	C64

Output Number	Output Rates (Hz)			
	X64	X16	X8	X1
F1	614.4K	153.6K	76.8K	9600
F2	460.8K	115.2K	57.6K	7200
F3	307.2K	76.8K	38.4K	4800
F4	230.4K	57.6K	28.8	3600
F5	153.6K	38.4K	19.2K	2400
F6	115.2K	28.8	14.4k	1800
F7	76.8K	19.2K	9600	1200
F8	38.4K	9600	4800	600
F9	19.2K	4800	2400	300
F10	12.8K	3200	1600	200
F11	9600	2400	1200	150
F12	8613.2	2153.3	1076.6	134.5
F13	7035.5	1758.8	879.4	109.9
F14	4800	1200	600	75
F15	921.6K	921.6k	921.6k	921.6k
F16*	1.843M	1.834M	1.834M	1.834M

*F16 is buffered oscillator output

MC14411

FIGURE 1 - DYNAMIC SIGNAL WAVEFORMS

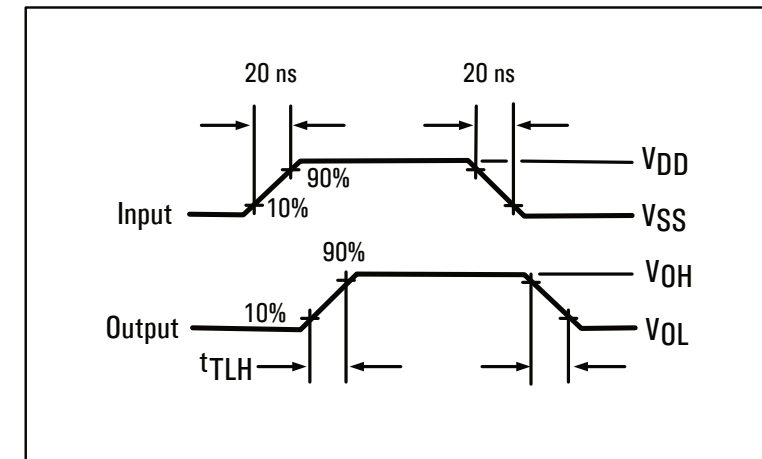


FIGURE 2 - TYPICAL CRYSTAL OSCILLATOR CIRCUIT

